

TL368A TR-LIMITER

GENERAL DESCRIPTION

The TL368A is a broad band primerless TR-Limiter designed specifically for use with X-band radars. Consisting of a TR tube and a diode limiter, the TL368A is a small, rugged device which protects the mixer diode in the receiver from burning out as a result of RF power coming from other radars.

Since the mechanical dimension of the TL368A is the same as conventional TR tubes 1B63A, 9X63 and 9X64, it is an ideal replacement for the foregoing without changing the mount of the radar.

MAXIMUM RATINGS:

<u>Characteristic</u>	<u>Symbol</u>	<u>Min.</u>	<u>Max.</u>	<u>Unit</u>
Transmitter power (peak)	Pi	---	100	KW
Operating temperature	To	-30	+75	°C
Ambient temperature	Ts	-40	+100	°C

ELECTRICAL CHARACTERISTICS

<u>Characteristic</u>	<u>Symbol</u>	<u>Min.</u>	<u>Max.</u>	<u>Unit</u>	<u>Remark</u>
Frequency range	F	9300	9500	MHz	
V.S.W.R.		---	1.5	---	Note 1
Insertion loss	Li	---	1.2	dB	Note 1
Flat leakage power	Pf	---	25	mW	Note 2
Spike leakage power	Ws	---	0.07	erg	Note 3
Recovery time	Trcv	---	2	μsec	Note 4
Minimum firing power	Pmf	---	200	mW	Note 5

Notes:

1. Measured at power level 0.1mW CW.
2. Measured at 40 kW, 1.0 μs and 0.5 μs pulse width, and 1000 p.p.s.
3. Measured at 40 kW, 0.15 μs pulse width and 1000 p.p.s.
4. Measured at 40 kW, 1 μs and 1000 p.p.s.
5. Measured at 1.0 μs pulse width and 1000 p.p.s.

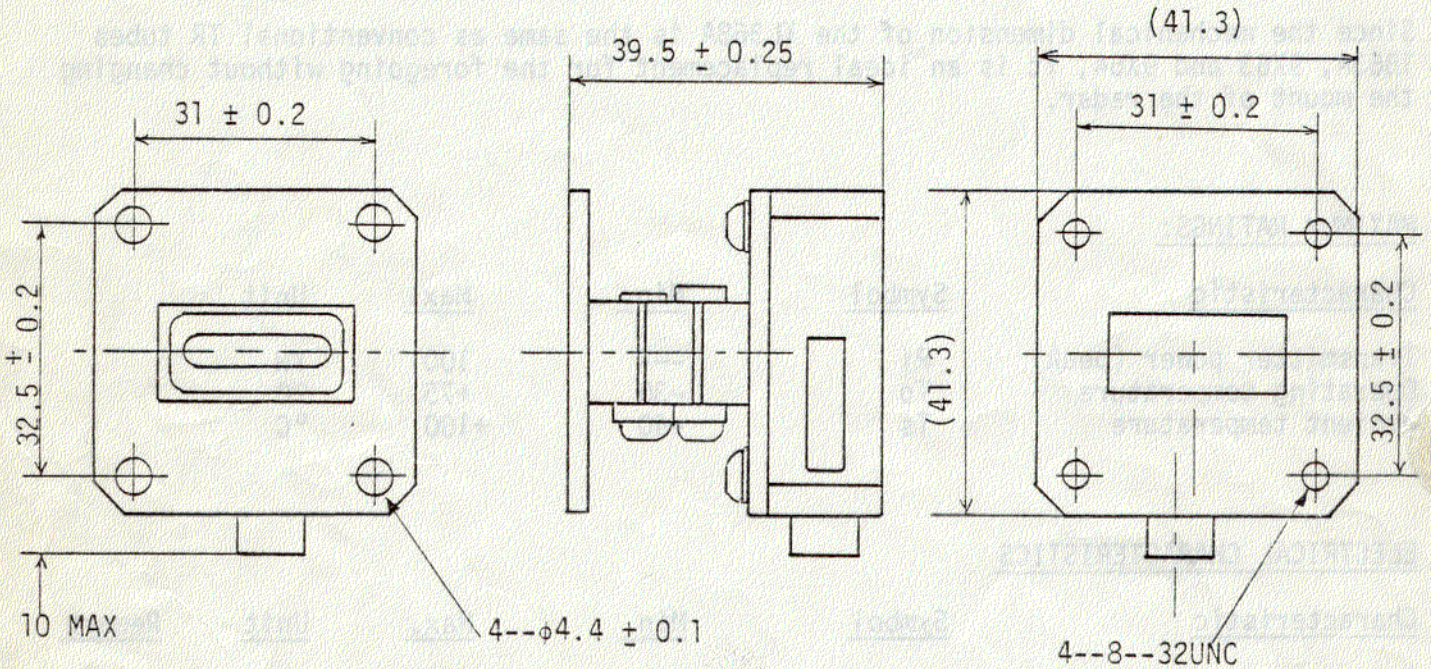
OUTLINE TL368A

UNIT IN mm

SCALE 1/1

TR TUBE

TL 368A
A1234A



LIMITER

2100